

UNIC

UR-A100 *series*

1.8t-m 1,015kg at 1.8m
capacity

Light-duty cargo-deck-mounted UNIC Crane



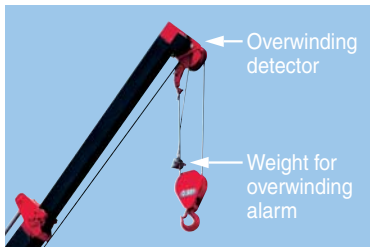
Both can be adjusted to fit compactly into the bed of a light-duty truck and leave room for ample cargo. The super-stable horizontal outrigger permits "one-touch" extension by removing the stopper, simplifying operation.

These series, too, are designed for optimal operating and energy efficiency and offer our popular Radio-remote control and a service port as options. High quality, operating ease, and dependable support for your light-duty operations.

Photo : UR-A104 / 4 section boom

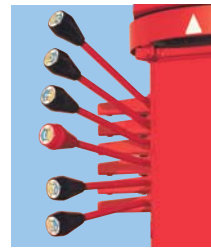
FURUKAWA UNIC CORPORATION

Designed for easy, efficient operation



Overwinding alarm

The device automatically makes an alarm sound to warn that the wire rope is overwound when the hook comes close to the boom top.



Automatic Accelerator (A.A.) lever

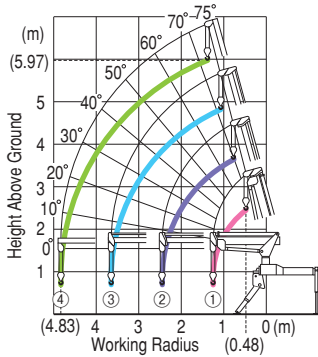
The crane operation lever controls the accelerator. By simply engaging the A.A. lever the operator can control speed without using the accelerator lever. One-handed operation is easy for everything from very slow-speed idling to full-throttle high-speed operations.

Outrigger automatic extension device

The left-side outrigger is easily controlled by a lever that lets you jack it up vertically and extend it horizontally. The outrigger cylinder mechanism is protected from damage by a tenaciously strong cast-iron sheath or "box". (The right-side outrigger can be automatically jacked up and down.)

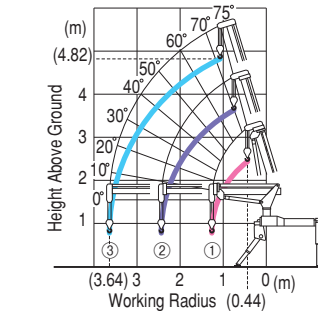


Working Range & Rated Loads [Unit : kg]



UR-A104 [4 Sections Boom]	Working Radius (m)	1.4	1.8	2.0	2.5	3.0	3.5	4.0	4.5	4.83
	①	1000 (1.26)								
②	1000	1000	830	665 (2.45)						
③	1000	1000	830	665	520	440	430 (3.64)			
④	615	550	500	450	350	300	260	250	250	

() : Working Radius

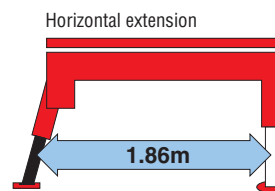


UR-A103 [3 Sections Boom]	Working Radius (m)	1.3	1.8	2.0	2.5	3.0	3.5	3.64
	①	1000 (1.26)						
②	1000	1000	830	665 (2.45)				
③	1000	1000	830	665	520	440	430	

() : Working Radius

Specifications Table

	UR-A104	UR-A103
Capacity	1,000 kg at 1.8 m	1,000 kg at 1.8 m
Working radius	Min. 0.48 m to Max. 4.83 m	Min. 0.44 m to Max. 3.64 m
Hook height above ground level (approx)	Max. 5.97 m	Max. 4.82 m
Boom length	Min. 1.505 m to Max. 5.075 m	Min. 1.505 m to Max. 3.885 m
Boom section	4	3
Boom raising range	Min. 0° to Max. 75°	Min. 0° to Max. 75°
Slewing range	200°	200°



In accordance with our policy of constant product improvement, all specifications are subject to change without notice or obligations.

FURUKAWA UNIC CORPORATION

5-3, Nihonbashi 1-chome, Chuo-ku, TOKYO 103-0027 JAPAN
 Phone: (81-3) 3231-8613 / Facsimile: (81-3) 3231-8261
 URL <http://www.furukawaunic.co.jp/>