

UNIC



V540

**Truck-Mounted UNIC Crane UR-V540 SERIES
For Heavy-Duty truck.**

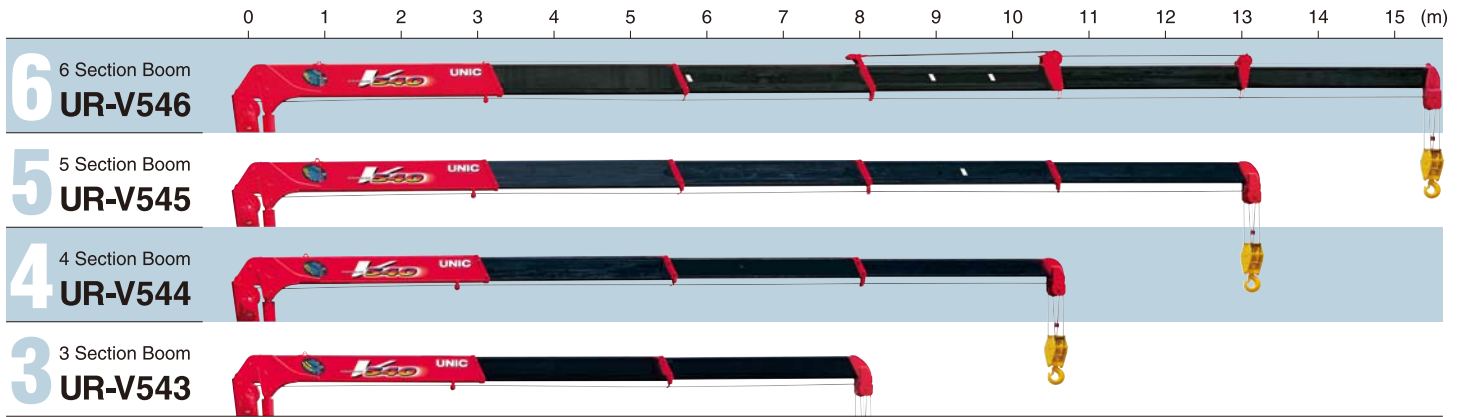
maximum lifting capacity. **4,050 kg.**

17.5 m. *maximum hook height
(6 section boom).*



FURUKAWA UNIC CORPORATION

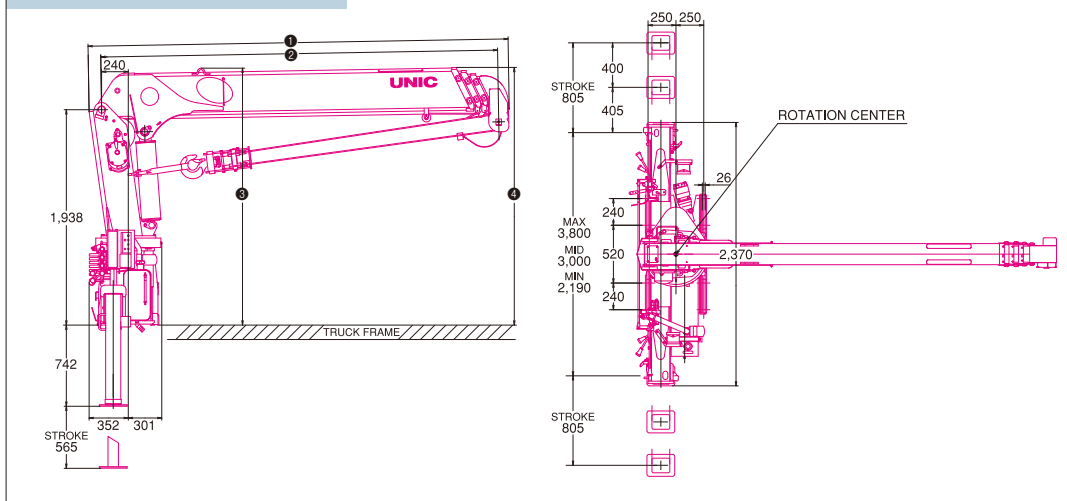
UNIC UR-V540 Series Line-up



Specifications Table

UR-V540 series	UR-V546	UR-V545	UR-V544	UR-V543
Maximum Lifting Capacity	4,050 kg. at 2.90 m.	4,050 kg. at 2.90 m.	4,050 kg. at 2.90 m.	4,050 kg. at 2.90 m.
Maximum Hook Height	Max. 17.5 m.	Max. 15.2 m.	Max. 12.8 m.	Max. 10.3 m.
Maximum Working Radius	Min. 0.73 m. to Max. 15.47 m.	Min. 0.70 m. to Max. 13.12 m.	Min. 0.67 m. to Max. 10.60 m.	Min. 0.66 m. to Max. 8.10 m.
Boom Length	Min. 3.93 m. to Max. 15.71 m.	Min. 3.75 m. to Max. 13.35 m.	Min. 3.57 m. to Max. 10.84 m.	Min. 3.51 m. to Max. 8.34 m.
Boom Sections	6	5	4	3
Boom Raising Angle	Min. 1° to Max. 78°			
Slewing Angle	360° Continuous			

Drawing: UR-V544 (Unit: mm)



NOTE

1. Rated loads shown in the chart are based on the crane strength with the outriggers fully extended on a firm level ground and on the actual working radius including the deflection of boom.
2. The weights of hook (50 kg.), slings, and any accessories attached to the boom or loadline must be deducted from the above capacities in the chart.
3. Capacities shown must reduce in accordance with vehicle weight and loaded condition of truck, crane mounting position, and operating speed.
4. The figures in relation to the speed are on the basis of no-load running at rated oil flow conditions.
5. In accordance with our policy of constant product improvement, all specifications are subject to change without notice or obligations.



HOOK
+
SLINGS
+
LOAD
=
RATED LOAD

Crane Mounting Dimensions

Crane Model	①	②	③	④
UR-V546	4,139	Min. 3,930 ~ Mid. 6,330 ~ 8,720 ~ 11,050 ~ 13,380 ~ Max. 15,710	2,398	2,535
UR-V545	3,959	Min. 3,750 ~ Mid. 6,150 ~ 8,550 ~ 10,950 ~ Max. 13,350	2,359	2,363
UR-V544	3,779	Min. 3,570 ~ Mid. 6,000 ~ 8,420 ~ Max. 10,840	2,312	2,319
UR-V543	3,720	Min. 3,510 ~ Mid. 5,940 ~ Max. 8,340	2,312	2,319

FURUKAWA UNIC CORPORATION

3-14, Nihonbashi Muromachi 2-chome, Chuo-ku, TOKYO 103-0022 JAPAN

Phone: (81-3) 3231-8613 / Facsimile: (81-3) 3231-8261

URL <http://www.furukawaunic.co.jp/>